

**AUDI 01J CVT
FORWARD CLUTCH DRUM AND PULLEY ASSEMBLY/DISASSEMBLY UPDATE**

Forward clutch updated assembly setup:

Forward and reverse friction clutch clearance is critical. Originally these units come with a six friction stack up. There was an update that increased the stack up to 7 friction trapezoid design plates. The 7 friction update is for 4 cylinder diesel or larger engines, the previous 6 friction assembly still applies to 4 cylinder 2.0 or smaller gas engines with trapezoid plates. The part numbers for the tools to set up the forward clutch are (seen in figure 1):

- Assembly toolT10219/1
- 4 Calipers..... T40101
- 2 Rulers..... T40100
- Digital depth gauge..... VAS 6087

Align all the forward fiber clutch plate teeth evenly, with the forward clutch wave plate above the selective lower apply plate for measuring purposes only, load into the forward drum. Once the forward clutch drum is loaded, a suitable tool or part number T10219/1 should be placed under the drum during end play measurements see figure 2.

Place all 4 Calipers spaced evenly, onto the Selective upper apply plate seen in figure 3. Place two of the Rulers one each onto two of the four Calipers. With the Digital depth gauge placed flat onto the two rulers, measure to the top or the Selective Upper Apply plate, measurements should be taken in four locations. Calculate the average of all four measurements, (total all 4 values and divide by 4) and this will be called measurement "A".

Next with the two rulers still in place measure to the top of the Thrust plate contact surface shown in figure 4. Measurements should be taken on both sides of the shaft. Move the two rulers 90 degrees and repeat measurements. Calculate the average of all four measurements, and this will be called measurement "B" (see figure 4). Subtract measurement "A" from "B" this will be calculation "K".

This same procedure must be performed with the forward clutch pressure plate using only two calipers with one ruler taking measurements in 3 places (figure 5). Subtract measurement "A" from "B" this will be calculation "D".

Total Air Gap (end play) measurement will be the difference between Calculated measurement "K" & "D". Using the chart below, determine the proper Selective disc (See Figure 2) to achieve the correct Air Gap measurement.

Air Gap specified value: 1.4 ± 0.2 mm 6 Disc 1.8 ± 0.2 mm 7 Disc				
Available Upper & Lower adjustment discs (thickness in mm)				
1.90	2.15	2.65	2.90	3.15

The last step is to reassemble the forward clutch assembly with the Waved disc above the Selective Upper Apply disc seen in figure 6. *Many thanks to Eddie Rose.*

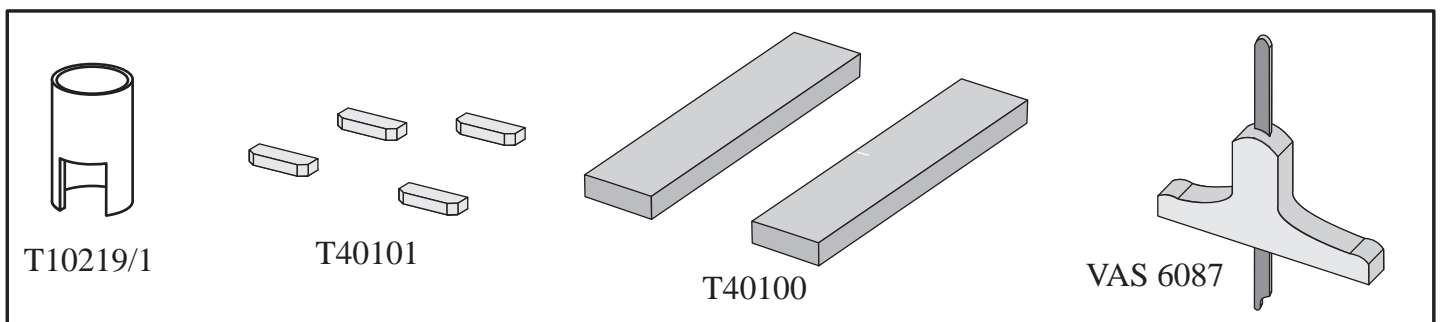


Figure 1

Copyright © 2010 ATSG